

## KVK Silent 355

Centrifugal circular duct fan

Item Number: 92164

Variant: 230V 1~ 50Hz

- Low sound level, thick and high density insulation
- Compact design, easy installation
- Easy maintenance, service cover
- Air tight design
- High efficiency and low SFP in a real working point
- Speed-controllable
- Simple to install, mounting brackets included
- Integrated motor protection
- Casing according to classification EI30.
- Aluzinc casing, C4 corrosion class

KVK Silent is a box fan with circular duct connections. The casing is insulated with thick and high density mineral wool insulation. Due to this insulation the casing has classification according to EI30. The casing is manufactured from Aluzinc in corrosion class C4.

KVK Silent can be speed-controlled via a stepless thyristor or a 5-step transformer. To protect the motor from overheating, the fans have integral thermal contact with leads for connection to a motor protection device.

KVK Silent can be installed in any position.

The FK mounting clamp (accessory) facilitates easy installation and removal and prevents the transfer of vibration to the duct.



### Technical parameters

Nominal data	
Voltage (nominal)	230 V
Frequency	50 Hz
Phase(s)	1~
Input power	478 W
Input current	2.33 A
Impeller speed	1,348 rpm
Air flow	max 1.04 m <sup>3</sup> /s
Capacitance of capacitor	10 µF
Temperature of transported air	max 70 °C
Max temperature of transported air, when speed controlled	70 °C
Sound data	
Sound pressure level at 3m (20m <sup>2</sup> Sabin)	42 dB(A)
Protection/Classification	
Enclosure class, motor	IP54
Insulation class	F

**Data according to ErP**

ErP ready

ErP 2018

**Dimensions and weights**

Duct dimension; Circular, inlet

355 mm

Duct dimension; Circular, outlet

355 mm

Weight

78 kg

**Others**

Duct connection type

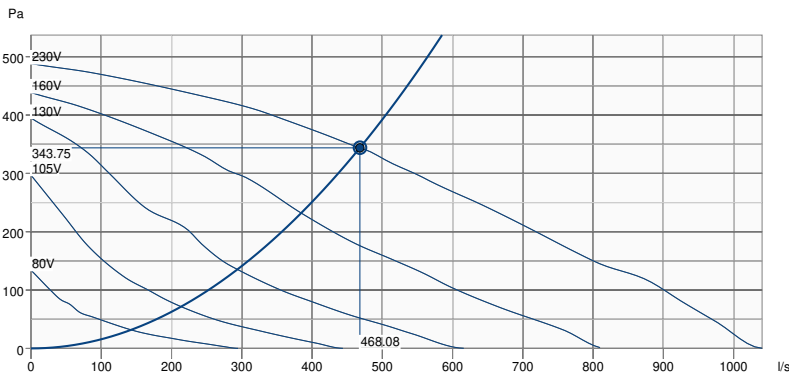
Circular

Motor type

AC

# Performance

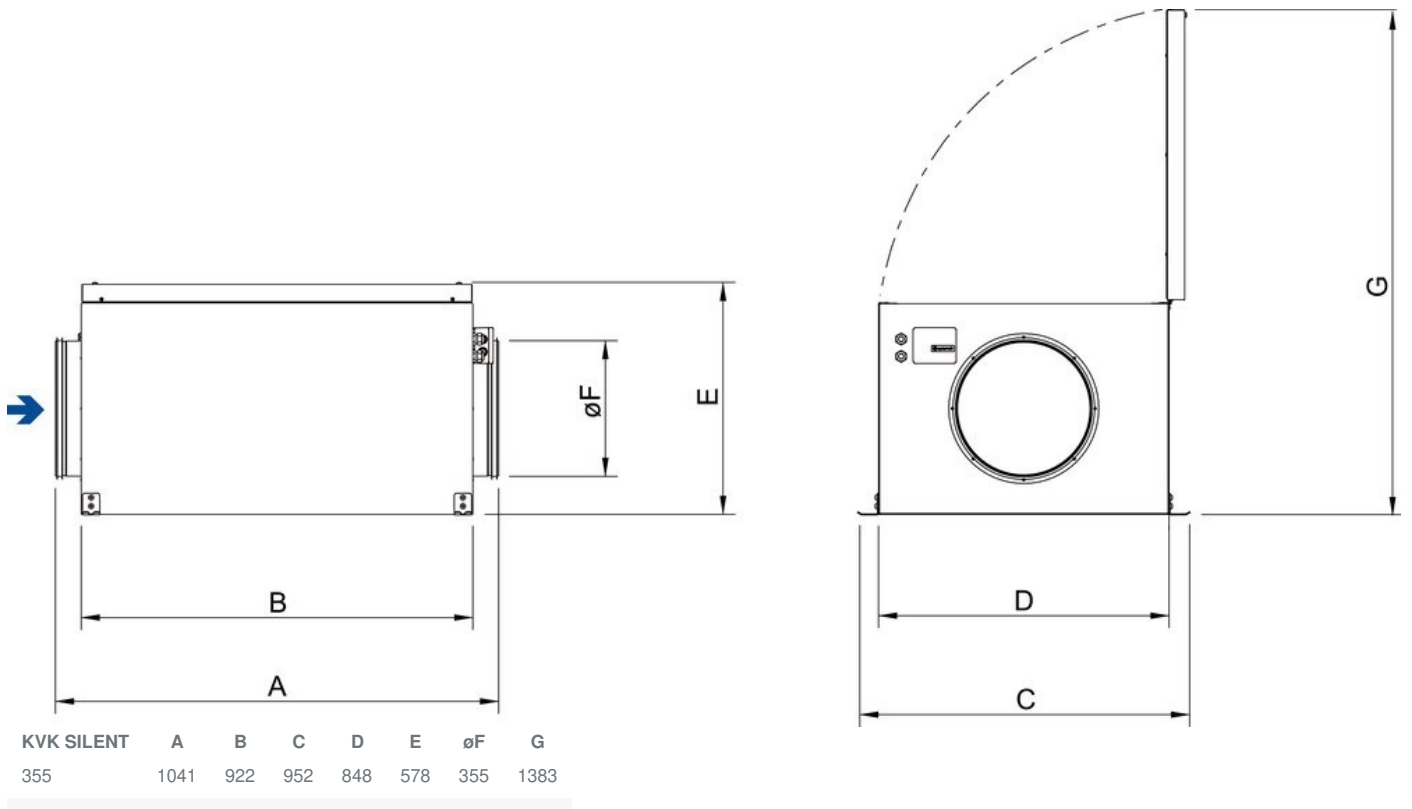
## Performance curve



Hydraulic data	
Required air flow	468.23 l/s
Required static pressure	344 Pa
Working air flow	468.08 l/s
Working static pressure	344 Pa
Air density	1.204 kg/m <sup>3</sup>
Power	437.3 W
Fan control - RPM	1372 rpm
Current	2.13 A
SFP	0.934 kW/m <sup>3</sup> /s
Control voltage	230.0 V
Supply voltage	230 V

Sound power level		63	125	250	500	1k	2k	4k	8k	Total
Inlet	dB(A)	52	66	53	47	45	46	42	35	67
Outlet	dB(A)	51	67	59	56	57	56	51	44	68
Surrounding	dB(A)	27	48	42	38	34	33	35	30	50
Sound pressure level at 3m (20m <sup>2</sup> Sabine)	dB(A)	-	-	-	-	-	-	-	-	43
Sound pressure level at 3m free field	dB(A)	-	-	-	-	-	-	-	-	29

## Dimension



## Wiring

YE Yellow

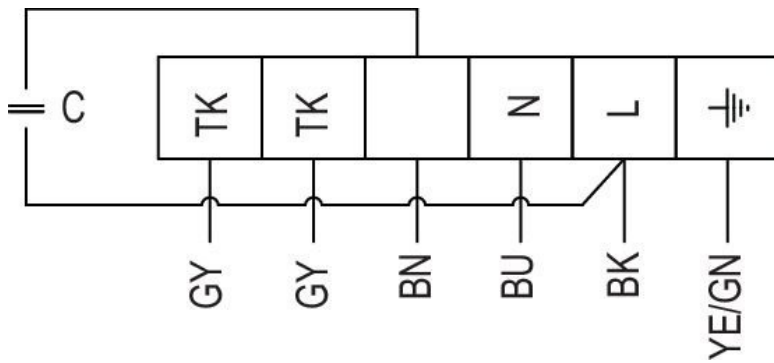
BU Blue

GN Green

BN Brown

BK Black

GY Grey



## Ecodesign

Product	
Trade name	Systemair
Product name	KVK Silent 355
Ecodesign	
ErP compliance	2018
Unit category	NRVU
Drive	External MSD or VSD
Unit type	UVU
Heat recovery type	None
Temperature ratio (UVU)	Not applicable
qv nom	0.468 m <sup>3</sup> /s
P nom	0.437 kW
Ps nom	344 Pa
Fan efficiency	36.9 %
External Leakage	0.1 %
Sound power level LWA	43 dB(A)

## Accessories

- FFR 355 Filter cassette (1782)
- REE 4 Speed control (5317)
- RETP 6 Temp/Pressure regulator (32293)
- REV-5POL/05-7,5kW R/Y (33979)
- SG 355 Protection guard (5612)
- DTV500A (96807)
- HR1 Room Humidistat (215150)
- CB 355-12,0 400V/3 Duct heater (5390)
- CB 355-9,0 400V/3 Duct heater (5389)
- CBMF 355-9,0 400V/3 Duct heater (12443)
- FK 355 Fast clamp (1614)
- RSK-355 Back draft dmp. (9972)
- VK-35 Louvre shutter (5642)
- Frequency converter FRQ5SE-6A (37421)
- REPT 6 Digital regulator (5698)
- REU 3 Speed control (5005)
- RTRE 3 Speed control (5009)
- CO2RT-R-D Transmitter (6993)
- Frequency converter FRQSE-6A (37419)
- RT 0-30 Room Thermostat (5151)
- CB 355-6,0 400V/2 Duct heater (5388)
- CBM 355-9,0 400V/3 Duct heater (5486)
- FGR 355 Filter cassette (1821)
- LDC 355-900 Silencer (5399)
- VBF 355 Water heating battery (1735)

## Documents

- INSTALLATION\_\_OPERATION\_AND\_MAINTENANCE\_INSTRUCTION\_KV\_DUO\_\_KVK\_DUO\_\_KVK\_EN\_001.PDF

## Specification